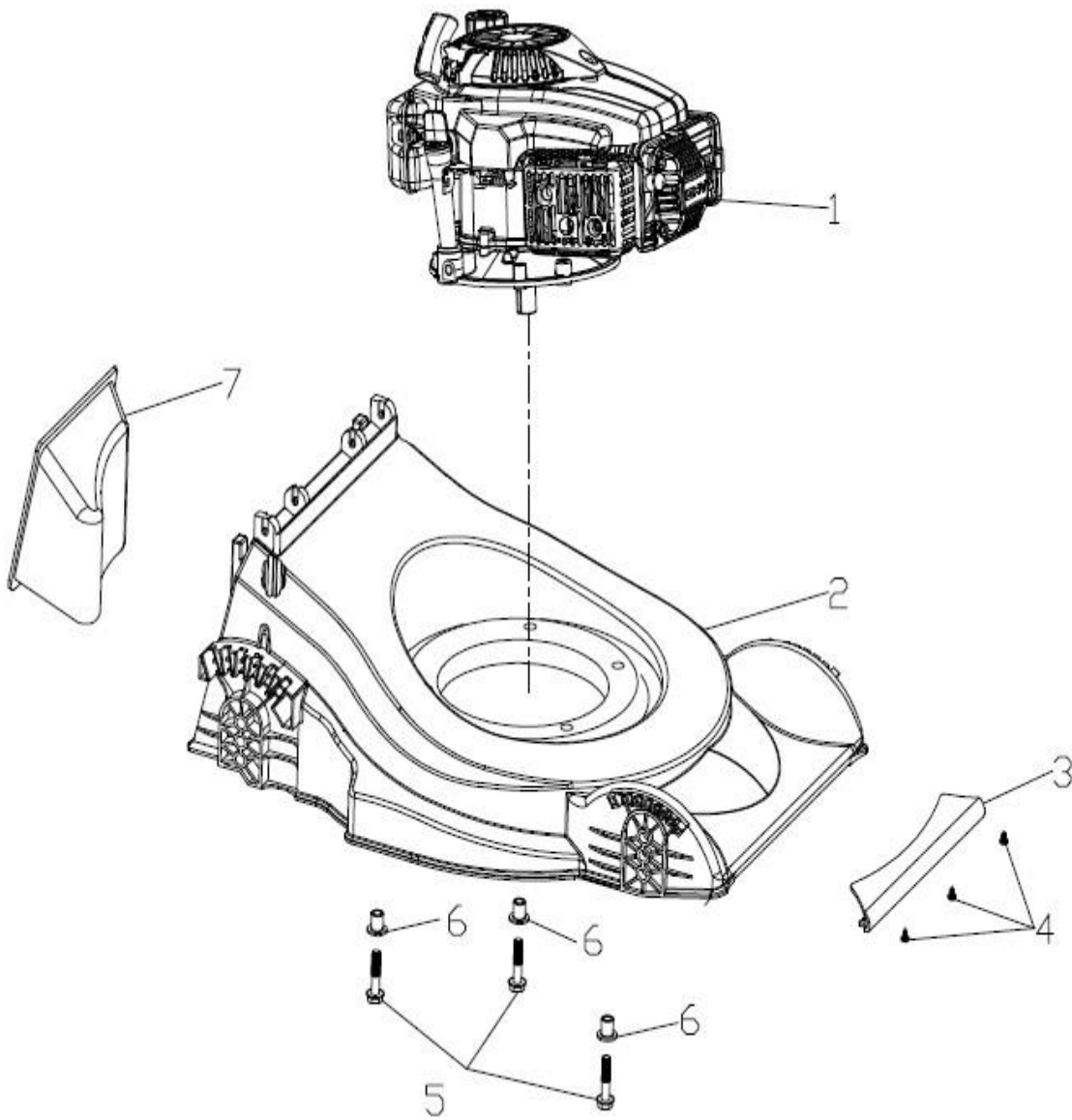
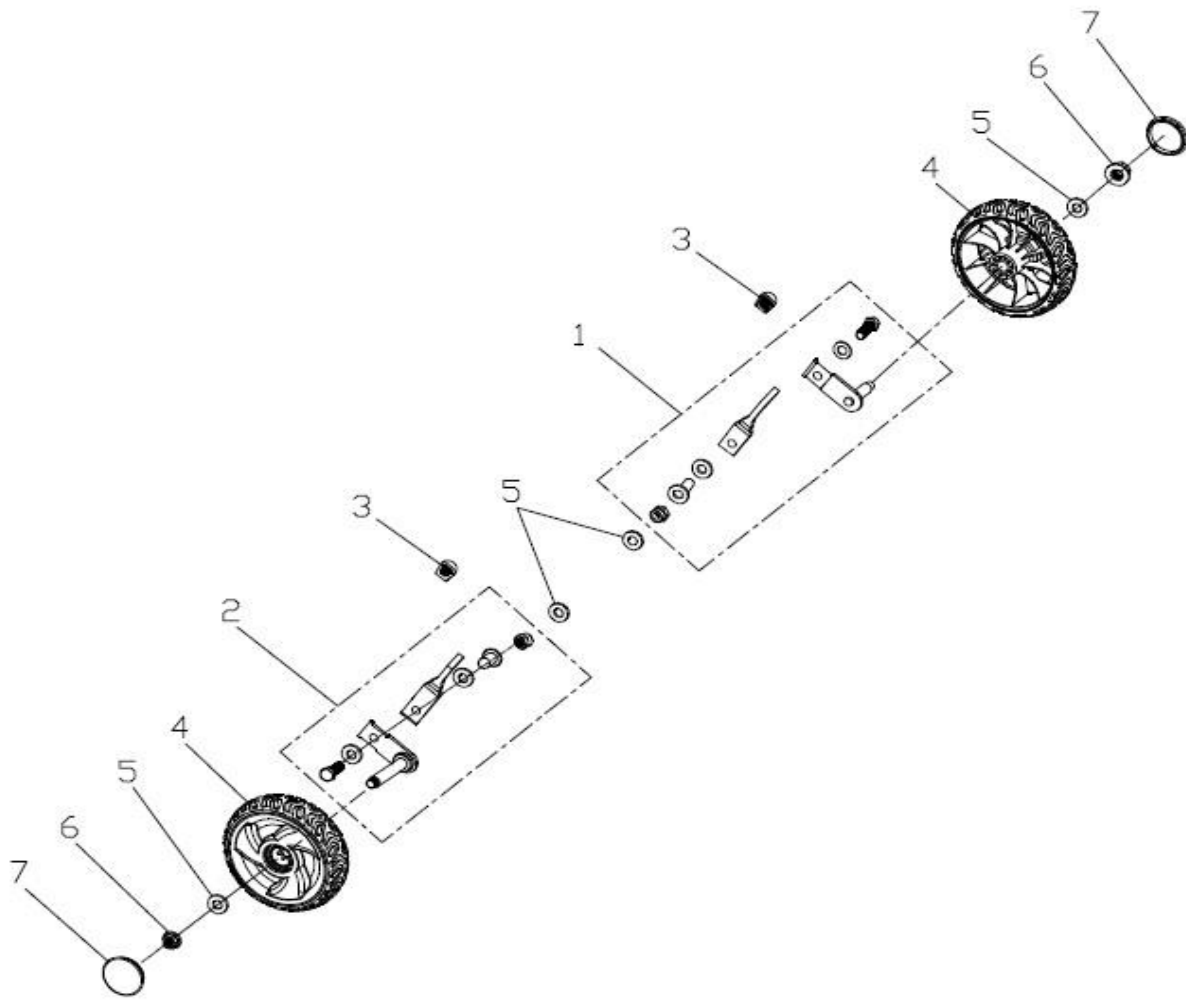


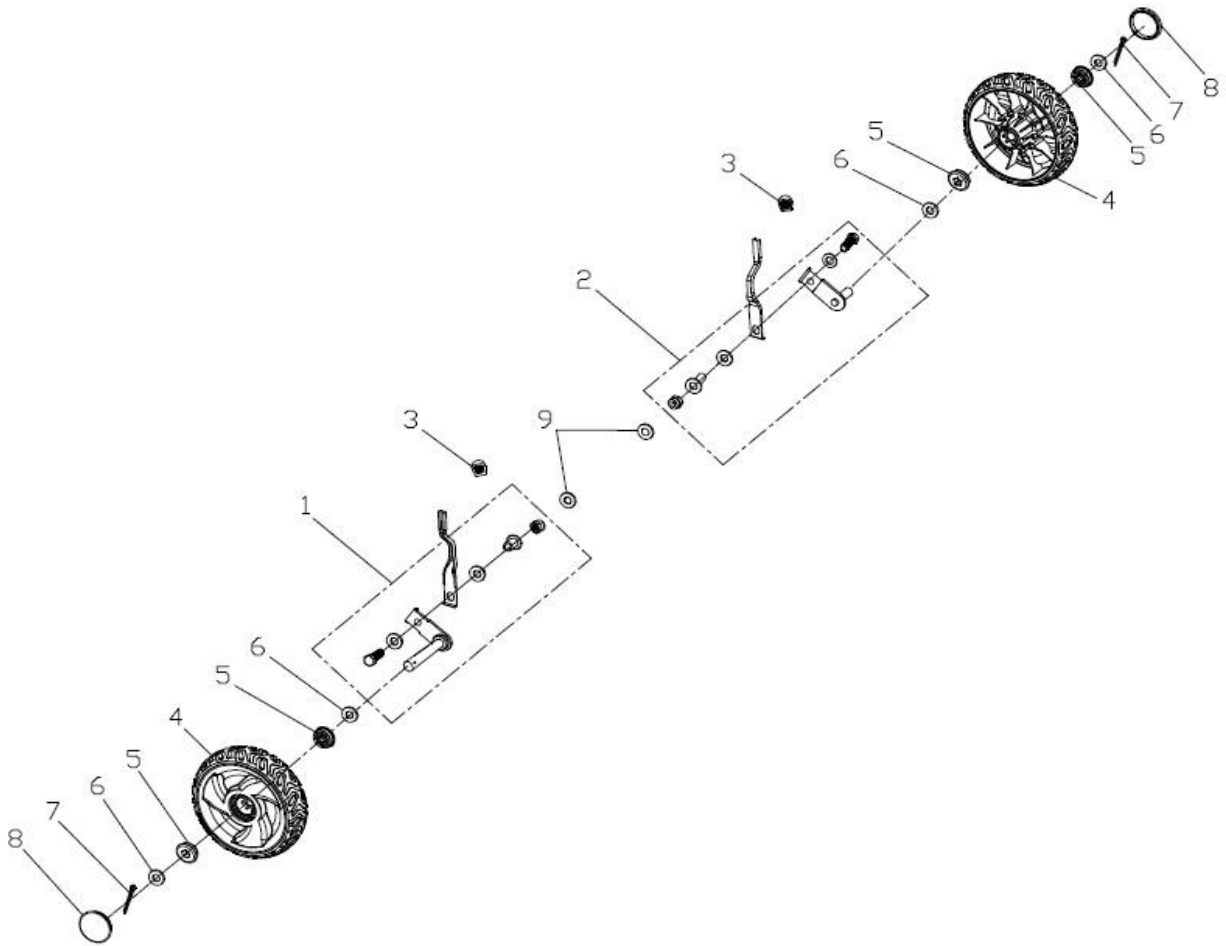
Part No.	Description in English	Q-ty
1	foam pipe	1
2	stop lever	1
3	upper handrail	1
4	Rope Guide	1
5	Cap nut	1
6	Brake Cable Assy plate	1
7	Bolt	2
8	Self-locking nut	2
9	Plastic stopper	1
10	brake cable	1
11	Half round head square neck bolts	2
12	flat washer	2
13	thick knob	2
14	Hexagon nut	2
15	right lower handrail	1
16	left lower handrail	1
17	handrail stopper	2
18	fastener	1
19	ross recessed Pan head tapping screws	2



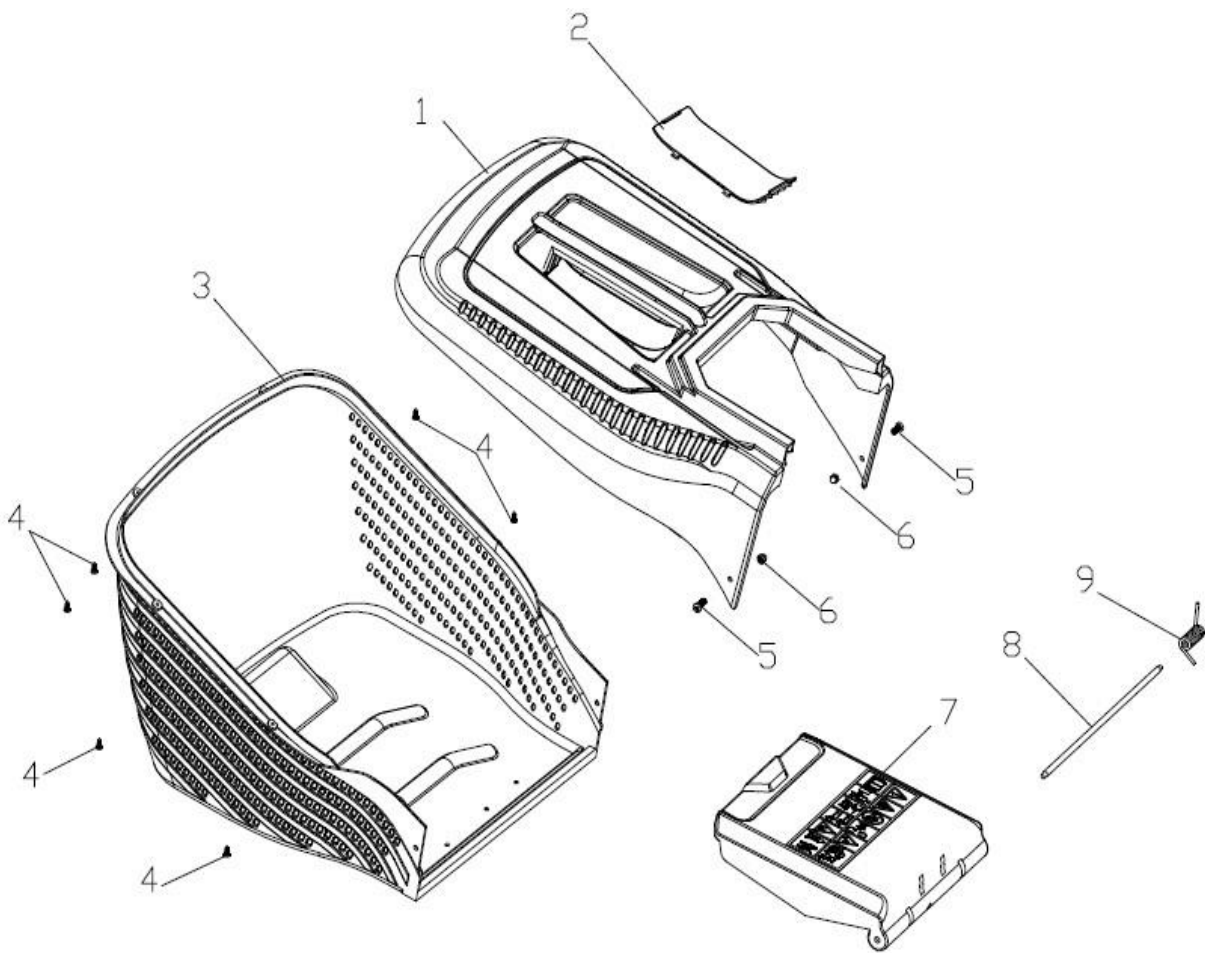
Part No.	Discription in English	Q-ty
1	petrol engine	1
2	deck	1
3	front protection board	1
4	Cross recessed Pan head tapping screws	3
5	Bolt	3
6	Chassis bushing	3
7	mulching plug	1



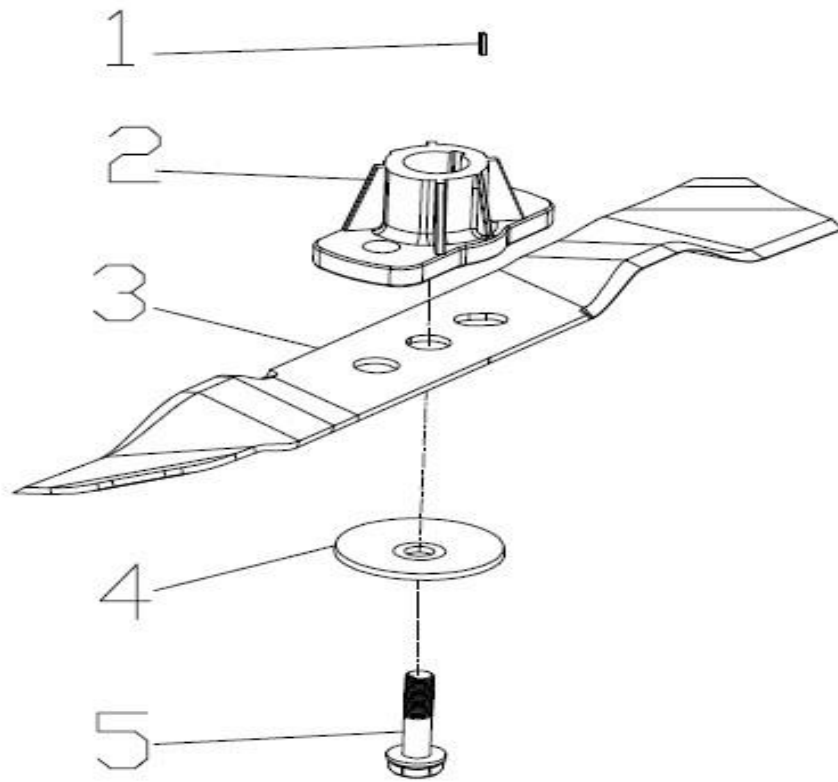
Part No.	Discription in English	Q-ty
1	rear wheel height adjust handle assy	1
2	rear wheel height adjust handle assy	1
3	sheath of height adjustment handle	2
4	wheel assy.	2
5	flat washer	4
6	Hex lock nut	2
7	outer cover of hub	2



Part No.	Discription in English	Q-ty
1	rear wheel height adjust handle assy	1
2	rear wheel height adjust handle assy	1
3	sheath of height adjustment handle	2
4	wheel assy.	2
5	wheel axle sleeve	4
6	flat washer	4
7	pin	2
8	outer cover of hub	2
9	flat washer	2

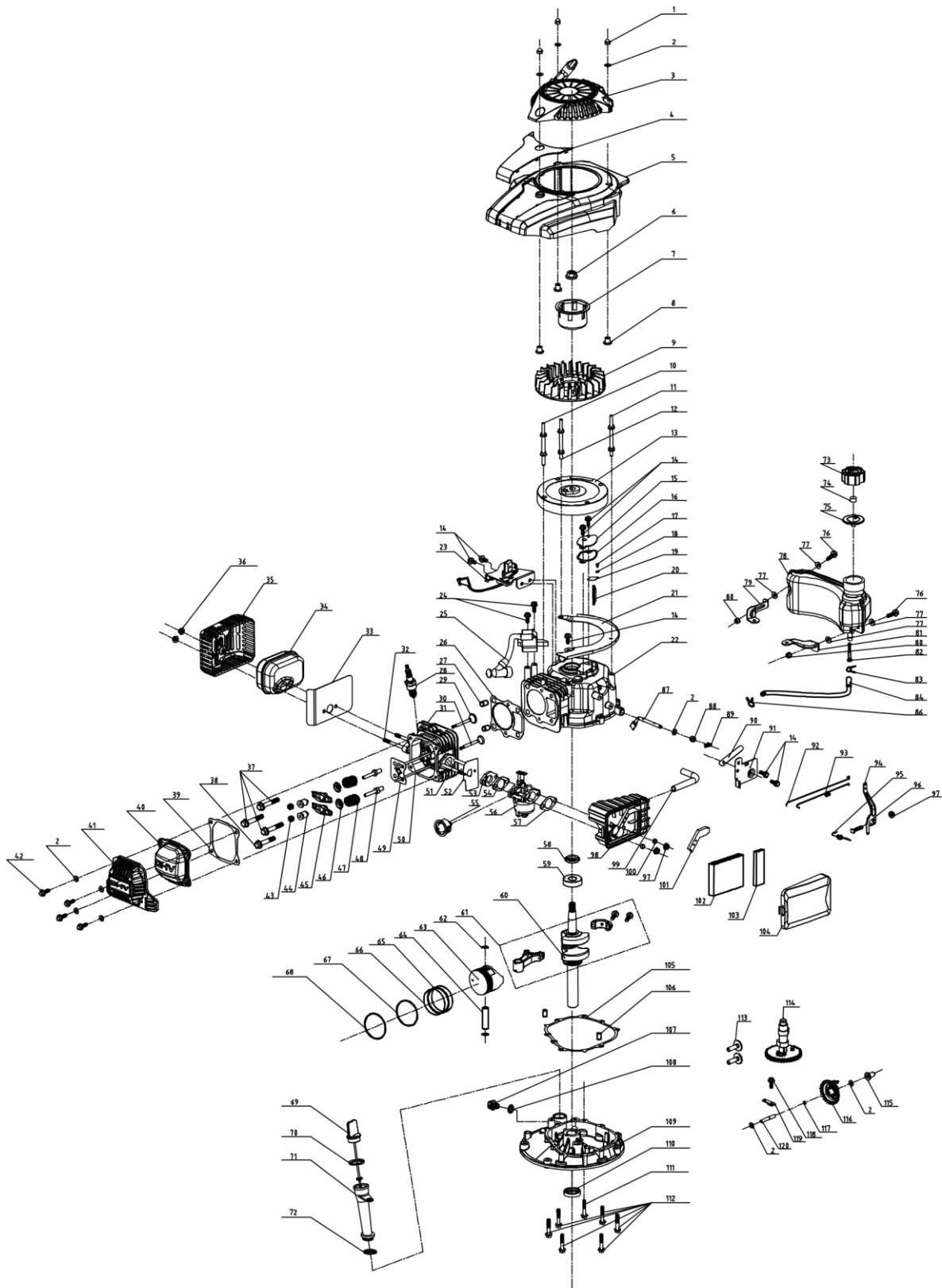


Part No.	Discription in English	Q-ty
1	top of grass box	1
2	protection board of grass bag	1
3	bottom of grass box	1
4	ross recessed Pan head tapping screws	6
5	Cross recessed small Pan head screws	2
6	Cap nut	2
7	rear discharge cover	1
8	Shaft for rear discharge cover	1
9	cover spring	1



Part No.	Discription in English	Q-ty
1	Long Key for Crankshaft	1
2	alu Blade Adapter	1
3	Blade	1
4	blade washer	1
5	blade bolt	1

00001008661



no.	english description	Qty
1	Cap nut	3
2	Gasket	10
3	starter assy.	1
4	decoration board	1
5	Blower Housing	1
6	Hex flange nuts	1
7	starter hub	1
8	Blower Housing Bush	3
9	fan	1
10	Special bolt I	1
11	Special bolt II	1
12	Special bolt III	1
13	flywheel assy	1
14	Bolt	7
15	Respirator Cover Plate Assy	1
16		1
17	boss recessed small Pan head screws	1
18	spring washer	1
19	respirator spring steel valve element	1
20	oil filter net	1
21	Blower board	1
22	crankshaft box assy.	1



23	detent assy.	1
24	Bolt	2
25	ignition assy.	1
26		1
27	spacing pin	2
28	spark plug	1
29	IntakeValve	1
30	Exhaust Valve	1
31	cyclinder head assy.	1

32	Dual-head bolts	2
33		1
34	muffler assy.	1
35	muffler cover assy.	1
36	Self-locking nut	2
37	locking bolt	3
38	locking bolt	1
39		1
40	cylinder head cover	1
41	cylinder head cover	1
42	Bolt	4
43	And nuts	2
44	Valve adjustment nut	2
45	Rocker of Valve	2

46	Spring Coil of Intake Valve	2
47	valve spring	2
48	valve rocker arm support bolts	2
49	push rod director plate	1
50	push rod	2
51	Dual-head bolts	2
52		1
53	Air Inlet Pipe	1
54		1
55	prime button II	1
56	carburetor assy.	1
57		1
58	oil seal	1
59	rolling bearing	1
60	crankshaft assy.	1
61	connecting rod assy.	1
62	Piston Pin circlip	2
63	Piston	1

64	piston pin	1
65	Bushing Ring	1
66	Guide Rail	2
67	Piston Ring II	1
68	Piston Ring I	1
69	Lubricating Gauge Assy	1

70		1
71	inlet fuel pipe	1
72		1
73	fuel tank cap	1
74	fuel tank cap sponge	1
75	Fuel Tank Cap seal gasket	1
76	Bolt	2
77	Cushion Blocking gasket	4
78	fuel tank body	1
79	right bracket of fuel tank	1
80	Self-locking nut	2
81	left bracket of fuel tank	1
82		1
83	fuel pipe lock clamp I	1
84	inlet fuel pipe	1
86	fuel pipe lock clamp II	1
87	rate-limiting rocker arm shaft	1
88	oil seal	1
89	R type pin	1
90	clip	1
91	single phrase throttle assy.	1
92	Handspike of Valve	1
93	valve spring	1
94	throttle rocker arm	1
95	valve spring	1

96	bolt	1
97	Hex flange nuts	3
98	Air Filter Pedestal	1
99	waste pipe	1
100	air fiiler bush	2
101	Exhaust Gas Cover Board	1
102		1
103		1
104	Air Filter Upper Cover	1
105		1
106	spacing pin	2
107	Oil drain bolt	1
108	Oil drain bolt gasket	1
109	Crank box cover	1
110	oil seal	1
111	Bolt	1
112	Bolt	6
113	pin	2
114	nynon camshaft assy.	1
115	Sliding Sleeve	1
116	rete-limiting gear assy.	1
117	Gear Shaft circlip	1
118	Bolt	1
119	rate-limiting gear shaft clamp	1
120	rate-limiting gear shaft	1

--	--	--

122 klínek setrváku